



Designed specifically for those on the go and on a budget. The components of the **Porta-Jib Explorer System** can be purchased as a complete system or as individual items.

**Explorer System Complete** ..... \$4900  
*(Includes Jib Arm, weight bucket assembly, tripod system, lifter, 4 leveling feet, trolley, 2 monopods and 3 dolly wheels, and 3 custom Porta-Brace bags. Note: FlexTrak sold separately.)*

**Basic Explorer System** ..... \$4300  
*(Same as complete system, minus the dolly wheels)*

**Explorer components:**

Explorer Jib ..... \$1500  
*(Will work with any 100mm tripod. Counterweights not included)*

Extra rail and bucket assembly ..... \$300

Explorer Tripod and Spreader, and leveling feet ..... \$1000

Explorer Trolley ..... \$400

Explorer Articulating Monopod with clamps (each) ..... \$100

PortaBrace bag for Explorer (each) ..... \$300  
*(Explorer System Complete requires 3 bags.)*

**Dolly options:**

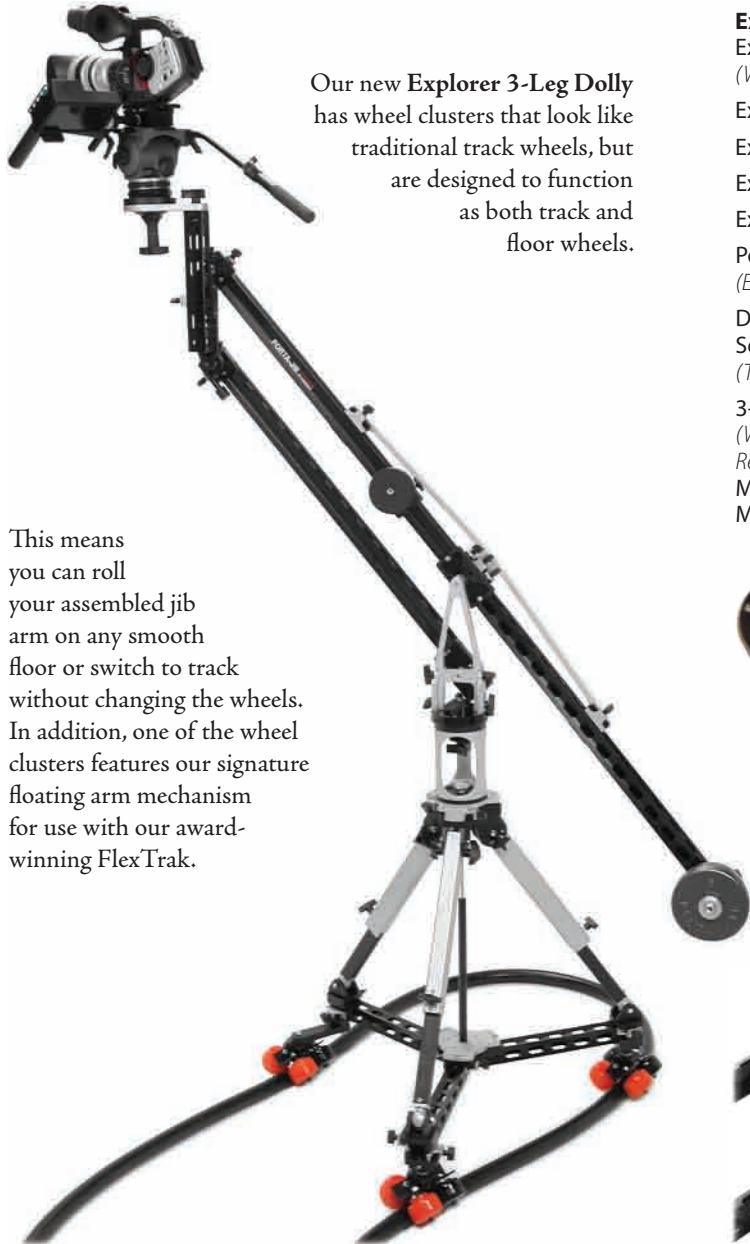
Set of 3 dolly wheels ..... \$600  
*(To convert the spreader into a 3-Leg Dolly.)*

3-Leg Explorer Spider Dolly ..... \$695  
*(When purchased separately for use with your existing tripod. Requires one of the tie-down sets below)*

Manfrotto or Cartoni Tie-down Set for dolly ..... \$45

Manfrotto Universal Casting Set for dolly ..... \$90

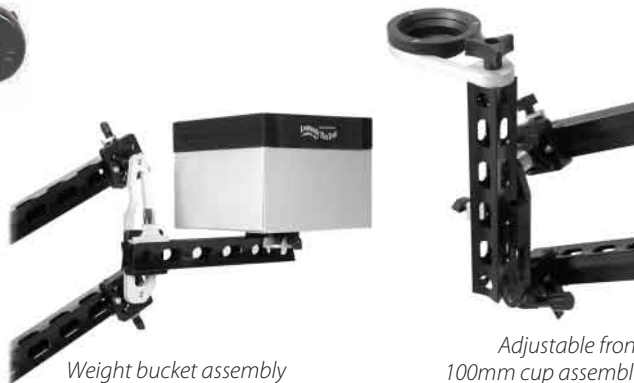
Our new **Explorer 3-Leg Dolly** has wheel clusters that look like traditional track wheels, but are designed to function as both track and floor wheels.



This means you can roll your assembled jib arm on any smooth floor or switch to track without changing the wheels. In addition, one of the wheel clusters features our signature floating arm mechanism for use with our award-winning FlexTrak.



Explorer Trolley



Weight bucket assembly

Adjustable front 100mm cup assembly

# PORTA-JIB EXPLORER BY LOSMANDY



*Designed specifically for lightweight camera and fluid heads weighing under 22 lbs.*

*Jib arm can be transformed in minutes without tools to an elevated trolley system.*

*New tripod design allows legs to lock vertically to increase jib range of motion.*

## BY LOSMANDY PORTA-JIB FLEXTRAK • SPIDERDOLLIES • JIBARMS

A Division of Hollywood General Machining  
 1033 N. Sycamore Ave • Los Angeles CA 90038

323 462-2855 • [www.porta-jib.com](http://www.porta-jib.com)

## Introducing a new lightweight all-in-one Jib-Tripod-Dolly-Trolley System

Using a new proprietary design of extruded aluminum rails and dovetails, the **Porta-Jib Explorer System** can be quickly configured, without tools, to be a jib arm, a dolly, or an elevated trolley, and be supported by our innovative new tripod.



The Explorer System Complete fits into 3 PortaBrace bags weighing 37, 34 and 32 lbs. for easy transport.

The system starts with the **Explorer Jib**, which weighs only 18 lbs. (8.2kg) and will support up to 22 lbs. (10kg.) of camera and fluid head. The key to the Explorer's unique design is in its dovetail clamping system that utilizes spring-loaded pins to ensure positive and safe connections with the rails, and allows for quick assembly and disassembly without tools. It can either be configured traditionally with a two arms forming a parallelogram on the front and a single arm on the back holding barbell style counterweights, or a fourth rail can be added to create a parallelogram on the back, which will then accept our counterweight bucket assembly. The bucket will allow you to use rocks, dirt etc. as counterweight, thereby eliminating the need to carry metal weights, an especially useful feature if shooting in remote locations.

The **Explorer Tripod** supporting the jib is unlike any other tripod and includes a unique spreader that instantly converts to become the **Explorer 3-Leg Dolly** by simply sliding on a set of wheels. The tripod's feet lock into position anywhere along the legs of the spreader, making this lightweight tripod a truly rigid jib support. It can be positioned normally with the legs angled out for maximum stability, or it can be positioned with the legs completely vertical. This position is especially useful because it increases the jib's range of motion providing the maximum height one can utilize when front-operating a jib. And it also has a built in gas-spring lifter that makes adjusting and leveling the legs much easier and is especially helpful when the jib converts into the **Explorer Trolley**.

The Explorer Jib System transforms



The entire jib assembly pivots 90 degrees by simply removing two bolts.

into the Explorer Trolley System



We believe that our new **Explorer System** provides the fastest set-up of any trolley or slider system on the market today. By simply removing two locking bolts from the upright support at the fulcrum, you can pivot the entire jib assembly 90 degrees which transforms the arms of the jib into a 6 foot double rail for the **Explorer Trolley** to ride on. The lifter in the tripod makes it easy to fine tune the height of the rails, and monopods are added to the end of the rails for stability. Then you simply slide on the **Explorer Trolley** and within three minutes, you can transform your jib arm into an elevated trolley and make small lateral dolly moves *without carrying any track*.